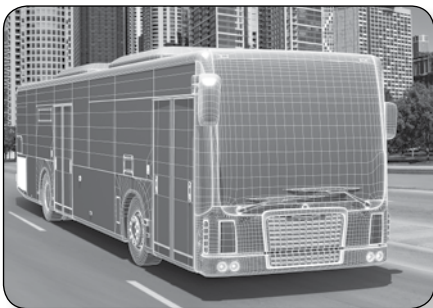
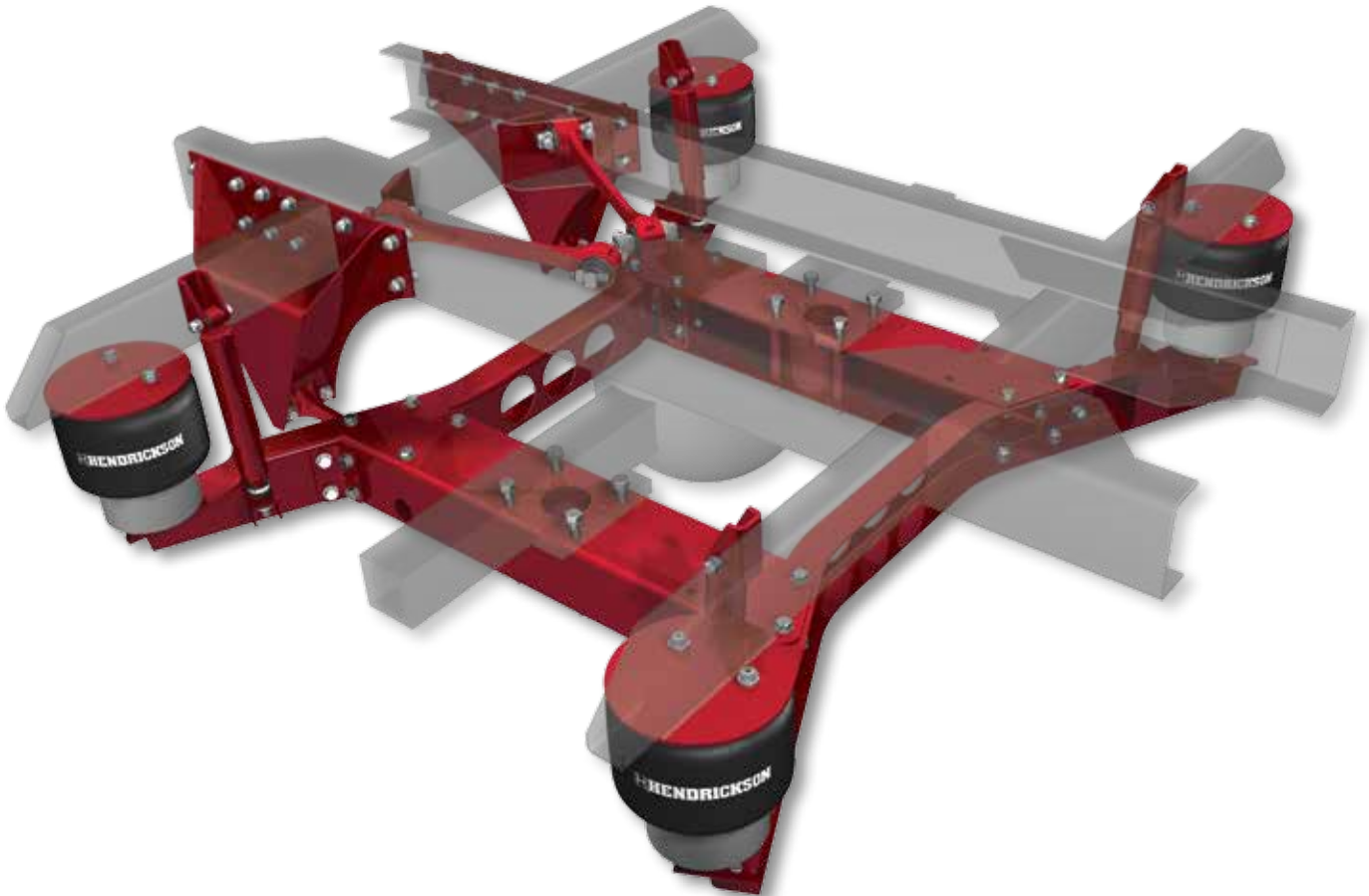


- Enhanced performance
- Lightweight design
- Fabricated construction



Hendrickson's LUXAIR™ is a premium drive axle air suspension ideal for transit and coach bus applications. Utilising Hendrickson's expertise in vehicle dynamics, this suspension can package with a variety of air springs and shock absorbers to ensure optimal performance no matter the application. The fabricated construction allows for flexibility, simplifying packaging for a variety of frame types and body styles. The efficient design also results in a lightweight solution that maintains the durability and performance expected in demanding transit and coach applications.

***Protect What Matters...with Hendrickson***

To learn more about LUXAIR,  
call Hendrickson or visit our global  
web sites for additional information.

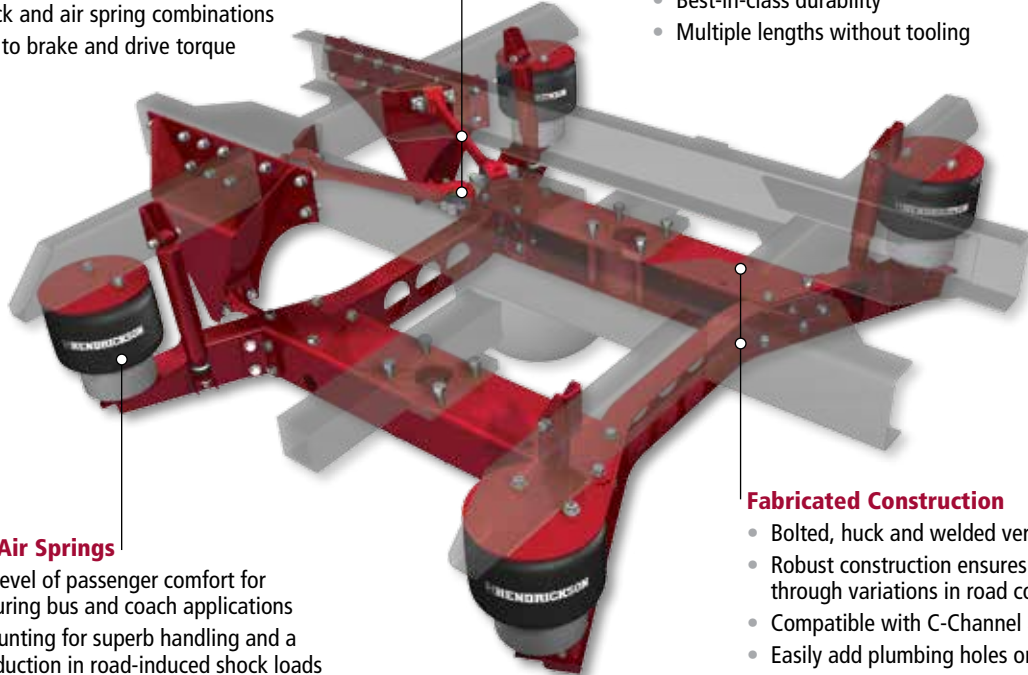
# LUXAIR™ Features and Benefits

## Best-In-Class Performance

- Tuneable rate, frequency and roll stiffness for varying applications
- Multiple shock and air spring combinations
- Non-reactive to brake and drive torque

## TRAXX ROD™ - Torque Rods

- Exceptional walk-out performance
- Best-in-class durability
- Multiple lengths without tooling



## High Volume Air Springs

- Outstanding level of passenger comfort for inner-city, touring bus and coach applications
- Outboard mounting for superb handling and a significant reduction in road-induced shock loads

## Fabricated Construction

- Bolted, huck and welded versions available
- Robust construction ensures exceptional reliability through variations in road conditions
- Compatible with C-Channel and Monocoque frames
- Easily add plumbing holes or mounting brackets

## LUXAIR Specifications

Scalable Capacity	Up to 14 t (31,000 lbs.)
Installed Weight <sup>1</sup>	354 kg (780 lbs.)
Axle Travel <sup>2</sup>	± 76 mm (±3 in.)
Ride Height <sup>3</sup>	178 - 267 mm (7 - 10 in.)
Brakes	Drum or Air Disc
Engine Torque Restrictions	None

All applications must comply with applicable Hendrickson specifications and must be approved by the respective vehicle manufacturer with the vehicle in its original, as-built configuration.

For additional details regarding specifications, applications, capacities, service and maintenance instructions, contact Hendrickson.

1. Installed weight includes complete suspension, V-rods and all hardware. Published weight is for LUXAIR at a 7 inch ride height. Other configurations may change weight. Axle brackets and frame hangers are not included.
2. Axle travel may be limited by vehicle manufacturer; axle stop settings and shock stroke may restrict suspension articulation. Varying ride heights and configurations may restrict travel. Contact Hendrickson for maximum axle travel values for LUXAIR.
3. For different ride height options, please contact Hendrickson, the vehicle manufacturer or dealer for further information.

*Actual product performance may vary depending upon vehicle configuration, operation, service and other factors.*

Call Hendrickson or visit our global web sites for additional information.



500 Park Boulevard, Suite 450 +1.630.874.9700  
Itasca, IL 60143-1285 USA Fax +1.630.875.1204

**Hendrickson Truck Commercial Vehicle Systems**  
800 South Frontage Road  
Woodridge, IL 60517-4904 USA  
+1.855.743.3733  
+1.630.910.2800  
Fax +1.630.910.2899  
[www.hendrickson-intl.com](http://www.hendrickson-intl.com)

**Hendrickson Trailer Commercial Vehicle Systems**  
2070 Industrial Place SE  
Canton, OH 44707-2641 USA  
+1.866.743.3247  
+1.330.489.0045  
Fax +1.800.696.4416  
[www.hendrickson-intl.com](http://www.hendrickson-intl.com)

**Hendrickson Commercial Vehicle Systems UK**  
1-9 Booth Drive  
Park Farm Industrial Estate  
Wellingborough, NN8 6GR, England  
+44(0) 1604 493161  
Fax +44(0) 1604 493985  
[uk.hendrickson-intl.com](http://uk.hendrickson-intl.com)

**Hendrickson Commercial Vehicle Systems Europe**  
Gussstahlwerkstraße 21  
A-8750 Judenburg, Austria  
+43 3572 44011 400  
[eu.hendrickson-intl.com](http://eu.hendrickson-intl.com)

**Hendrickson Commercial Vehicle Systems India**  
Plot No. 4 & 5, Gat. No. 679/2  
Behind Hotel Gandharva  
Alandi Kuruli Road, Kuruli (Chakan)  
Taluka Khed, Pune 410501, India  
+91 2135 662600  
[india.hendrickson-intl.com](http://india.hendrickson-intl.com)

**Hendrickson Commercial Vehicle Systems China**  
Suite 2402B Bao'an Building,  
No. 800  
Dongfang Road, Pudong  
New Dist, Shanghai, 200122  
+86 21 5876 5710  
Fax +86 21 5876 1577  
[china.hendrickson-intl.com](http://china.hendrickson-intl.com)

**Hendrickson Commercial Vehicle Systems Australia**  
32-44 Lector Drive  
Dandenong South, Victoria,  
3175 Australia  
+61 3 8792 3600  
Fax +61 3 8792 3699  
[aus.hendrickson-intl.com](http://aus.hendrickson-intl.com)

IAA037 07-16

"HENDRICKSON," the "H" logo and other Hendrickson marks designated with the "®" symbol are registered trademarks of Hendrickson USA, L.L.C. in the United States and certain other countries. Information contained in this literature was accurate at the time of publication. Product changes may have been made after the copyright date that are not reflected. © 2016 Hendrickson USA, L.L.C. All Rights Reserved

Printed in United States of America