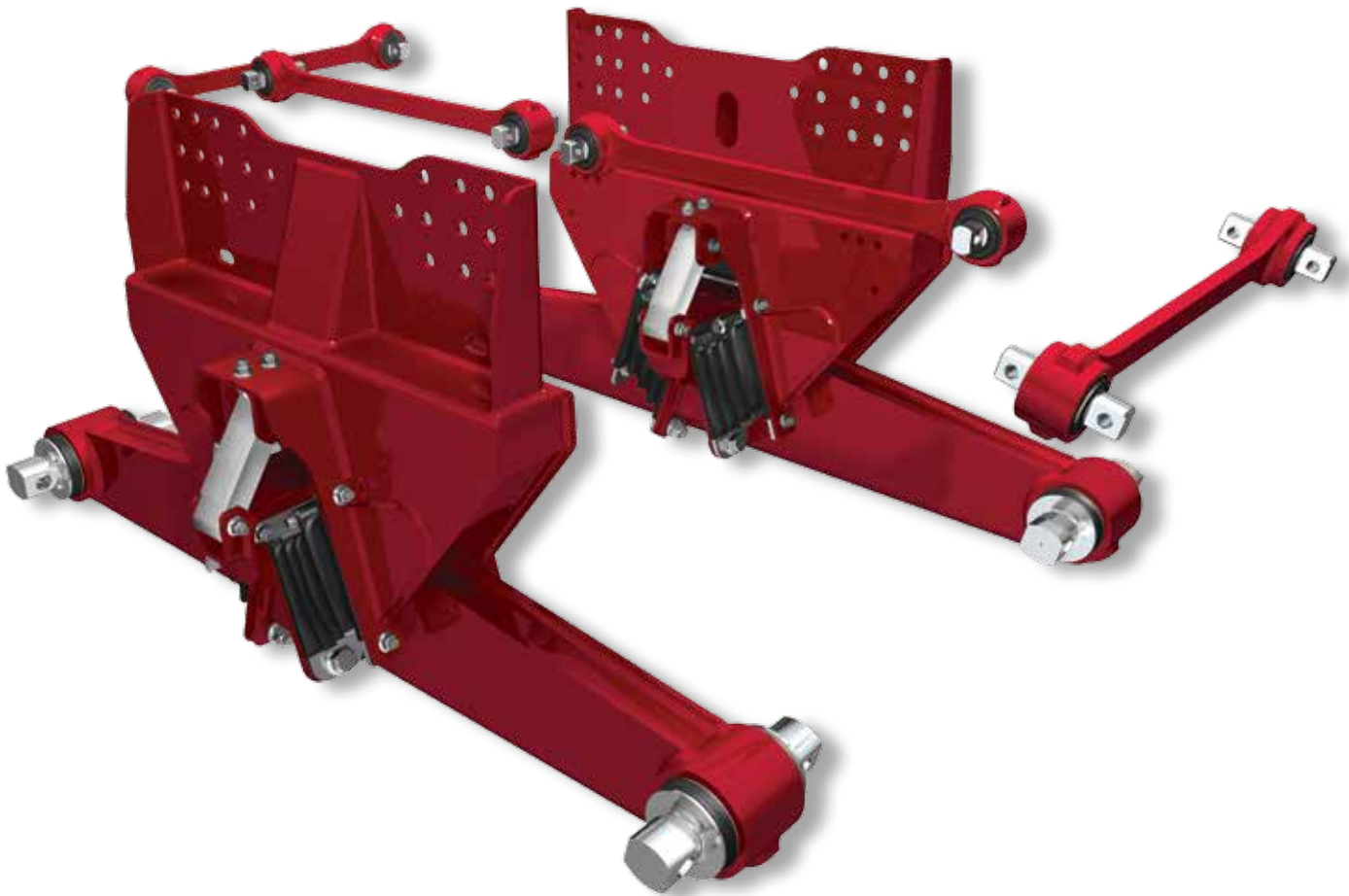


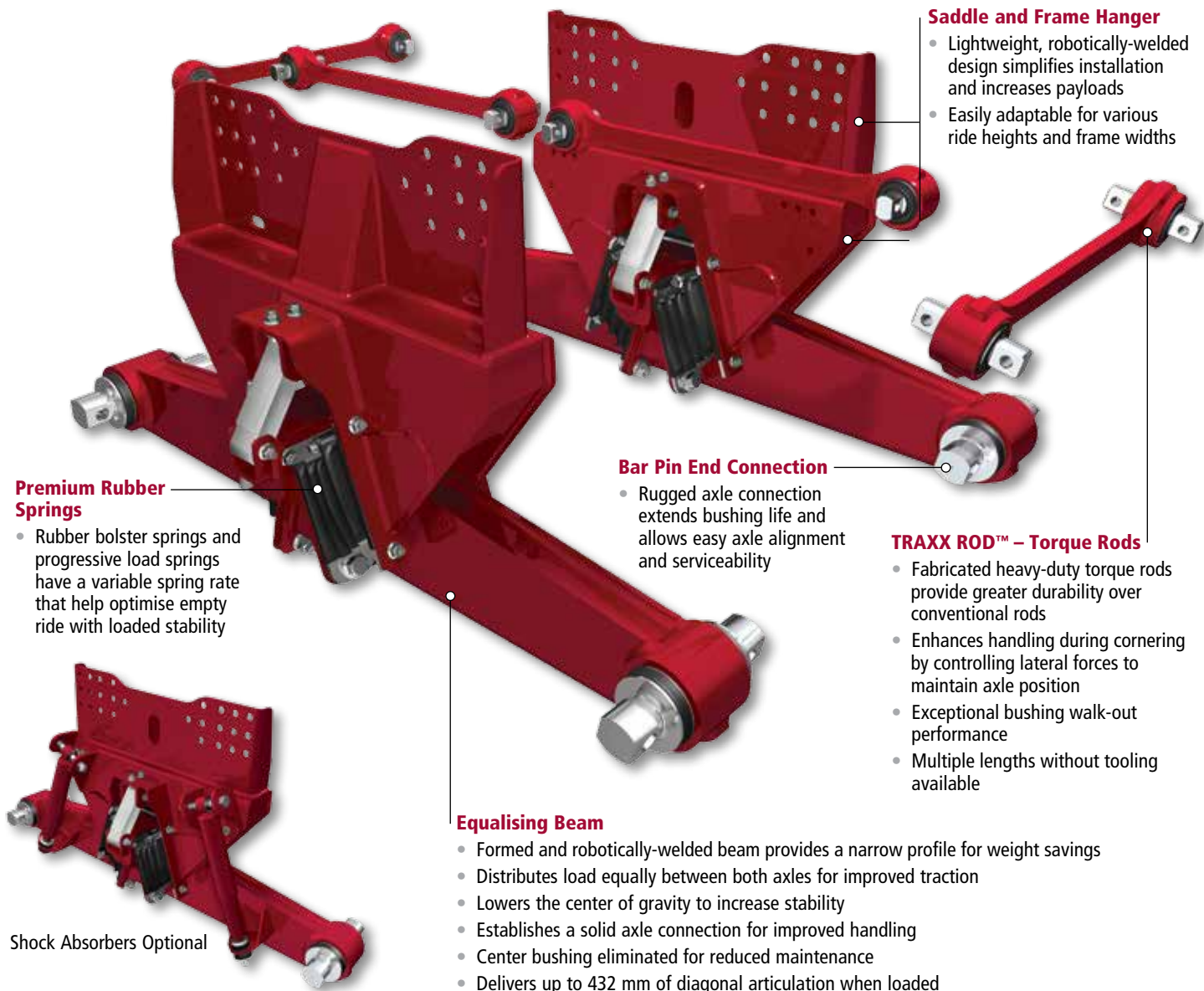
- MAAximise payload
- MAAximise stability
- MAAximise durability



Hendrickson's HAULMAAX® is a premium heavy-duty rear rubber suspension that raises the bar in durability while saving hundreds of kilograms over competitive suspensions. The unique spring system adjusts to the load, delivering the preferred combination of empty ride quality and loaded stability for vocational applications. In addition, HAULMAAX provides outstanding traction and mobility while helping reduce maintenance for lower life cycle costs.

To learn more about HAULMAAX,
call Hendrickson or visit our global
web sites for additional information.

HAULMAAX® Features and Benefits



Premium Rubber Springs

- Rubber bolster springs and progressive load springs have a variable spring rate that help optimise empty ride with loaded stability

Shock Absorbers Optional



Saddle and Frame Hanger

- Lightweight, robotically-welded design simplifies installation and increases payloads
- Easily adaptable for various ride heights and frame widths

Bar Pin End Connection

- Rugged axle connection extends bushing life and allows easy axle alignment and serviceability

TRAXX ROD™ – Torque Rods

- Fabricated heavy-duty torque rods provide greater durability over conventional rods
- Enhances handling during cornering by controlling lateral forces to maintain axle position
- Exceptional bushing walk-out performance
- Multiple lengths without tooling available

Equalising Beam

- Formed and robotically-welded beam provides a narrow profile for weight savings
- Distributes load equally between both axles for improved traction
- Lowers the center of gravity to increase stability
- Establishes a solid axle connection for improved handling
- Center bushing eliminated for reduced maintenance
- Delivers up to 432 mm of diagonal articulation when loaded

HAULMAAX Specifications

Suspension Rating	21 t - 26 t
Ride Heights ¹	216 to 318 mm
Beam Length ¹	1,321 - 1,400 mm

U.S. and foreign patents granted and / or pending.

All applications must comply with applicable Hendrickson specifications and be approved by the respective vehicle manufacturer with the vehicle in its original as-built configuration. Contact Hendrickson and the respective vehicle manufacturer for approval of specific applications.

For additional details regarding specifications, applications, capacities, and operating, service and maintenance instructions, refer to applicable Hendrickson technical literature (available at www.hendrickson-intl.com) or contact Hendrickson.

1. For different ride heights or axle spacing options, contact Hendrickson for further information.

Actual product performance may vary depending upon vehicle configuration, operation, service and other factors.

Call Hendrickson or visit our global web sites for additional information.



500 Park Boulevard, Suite 450 +1.630.874.9700
Itasca, IL 60143-1285 USA Fax +1.630.875.1204

Hendrickson Truck Commercial Vehicle Systems
800 South Frontage Road
Woodridge, IL 60517-4904 USA
+1.855.743.3733
+1.630.910.2800
Fax +1.630.910.2899
www.hendrickson-intl.com

Hendrickson Trailer Commercial Vehicle Systems
2070 Industrial Place SE
Canton, OH 44707-2641 USA
+1.866.743.3247
+1.330.489.0045
Fax +1.800.696.4416
www.hendrickson-intl.com

Hendrickson Commercial Vehicle Systems UK
1-9 Booth Drive
Park Farm Industrial Estate
Wellingborough, NN8 6GR, England
+44(0) 1604 493161
Fax +44(0) 1604 493985
uk.hendrickson-intl.com

Hendrickson Commercial Vehicle Systems Europe
Hendrickson Austria GmbH
Gussstahlwerkstraße 21
A-8750 Judenburg, Austria
+43 3572 44011 400
eu.hendrickson-intl.com

Hendrickson Commercial Vehicle Systems India
Plot No. 4 & 5, Gat. No. 679/2
Behind Hotel Gandharva
Alandi Kuruli Road, Kuruli (Chakan)
Taluka Khed, Pune 410501, India
+91 2135 662600
india.hendrickson-intl.com

Hendrickson Commercial Vehicle Systems China
Suite 2402B Bao'an Building,
No. 800
Dongfang Road, Pudong
New Dist, Shanghai, 200122
+86 21 5876 5710
Fax +86 21 5876 1577
china.hendrickson-intl.com

Hendrickson Commercial Vehicle Systems Australia
32-44 Lector Drive
Dandenong South, Victoria,
3175 Australia
+61 3 8792 3600
Fax +61 3 8792 3699
aus.hendrickson-intl.com

IAA021 REV A 07-16

"HENDRICKSON," the "H" logo and other Hendrickson marks designated with the "®" symbol are registered trademarks of Hendrickson USA, L.L.C. in the United States and certain other countries. Information contained in this literature was accurate at the time of publication. Product changes may have been made after the copyright date that are not reflected. © 2016 Hendrickson USA, L.L.C. All Rights Reserved

Printed in United States of America